

# INNOVATION IN AIR FILTRATION

MODEL

# LP-1000

HIGH EFFICIENCY AIR CLEANER



The LP-1000 from Crown Air Quality is a low profile 1400 cfm high efficiency air cleaning system designed to eliminate smoke, pollen, mold spores, dust and odors.

## OUTSTANDING FEATURES

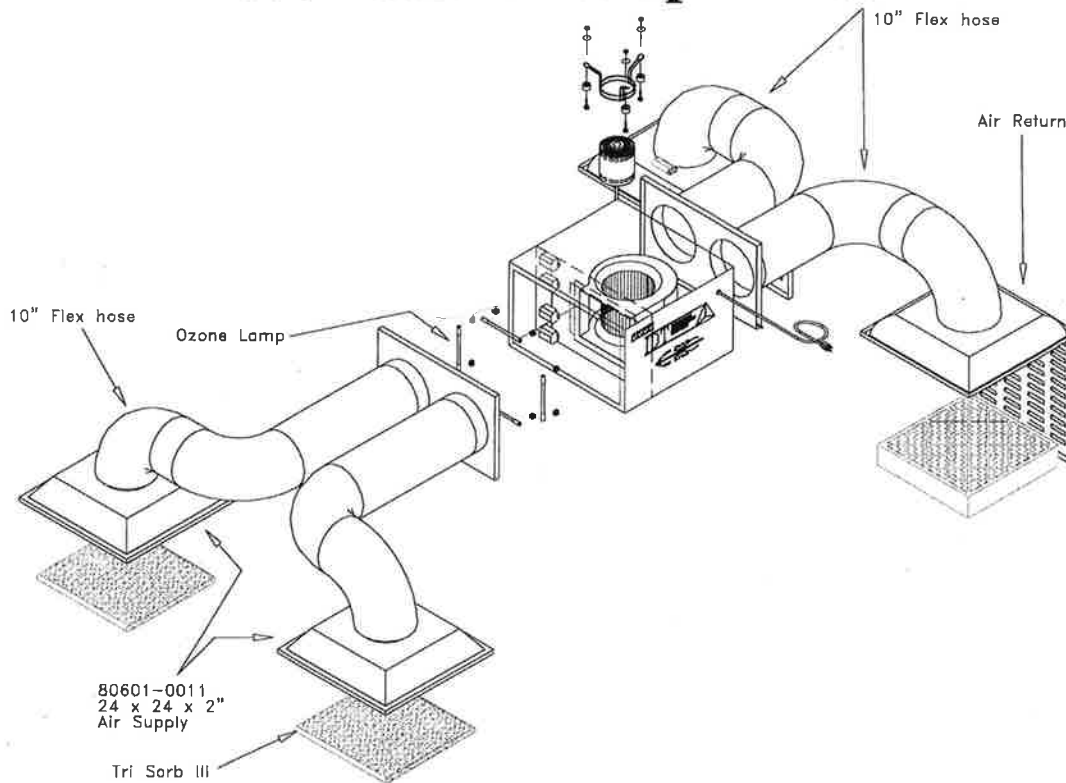
- ▲ Whisper Quiet
- ▲ Hidden - Installs above the false ceiling
- ▲ High Efficiency - 95%
- ▲ Room side filter access
- ▲ Compact Size - Requires only 17" of clearance
- ▲ Long-lasting disposable filters
- ▲ Effective on odors & particles

## TYPICAL APPLICATIONS

- Meeting Rooms ▲
- Banquet Halls ▲
- Restaurants ▲
- Casinos ▲
- Smoking Lounges ▲
- Bingo Halls ▲
- Lithography ▲



# LP-1000 Features & Specifications



## SPECIFICATIONS:

**Air Flow:** 1400 CFM High  
800-CFM Low

**Electrical Rating:** 120 Volt, 60 HZ, 10 Amp  
208-230 Volt, 60 HZ, 6 Amp

**Dimensions of Blower Module:** 16" H x 26" W x 24"L

**Weight:** Blower Module Install Weight 72 LBS.

**Shipping Weight:** 150 LBS

### Filtration:

- 1<sup>st</sup> Stage : (Two) 20" x 20" Tri-Dek #7 Media Pad
- 2<sup>nd</sup> Stage: (Two) 20" x 20" Tri-Cell IVS  
95% Mini Pleat
- 3<sup>rd</sup> Stage: (Two) 20" x 20" Tri-Sorb III Carbon Filter

### Optional Ozone system for additional odor removal:

This system is installed after particle filtration and before the final carbon filtration. This offers maximum odor removal.

**Motor:** Maintenance Free  
PSC ¾ HP 120 Volt  
Maintenance Free  
PSC 1 HP 208 – 230 Volt  
Blower: Forward curve  
direct drive

## HOW THE LP-1000 WORKS

Contaminated air is drawn through the pre-filters and the mini-pleat filters where the air borne particles are removed. The gaseous contaminants are then bleached out by the optional ozone. The clean air then passes through the final carbon filter where residual ozone is removed and the clean air is supplied back to the room.

## FEATURES & BENEFITS

### Low Maintenance

Disposable filters are long lasting and easily removed through the hinged grilles. Room side access.

### Inconspicuous

The attractive grilles fit flush with the ceiling. The blower module is hidden above the ceiling.

### Quiet

The LP-1000 is whisper quiet even on the maximum speed setting.

### Easy Installation

Special mounting brackets with eyebolts are factory installed on the blower module. The return and supply grilles are designed to lay in a standard 2 x 2 ceiling tile grid.



(702) 385-0805



**Supply Grille with Carbon**



**Blower Module**



**Return Grille with Filters**

